

CCS Technical Documentation

RH-9 Series Transceivers

Service Tools

Table of Contents

JBV-1 Docking Station and MJF-16 Adapter	4
Product Code	4
MJS-37 Module Jig	6
Product Code	6
MJS-67 Soldering Jig	7
Product Code	7
GAC-4 RF Adapter	8
Product Code	8
FPS-8 Flash Prommer (Sales Pack)	9
Sales Package Code	9
FPS-8C Parallel Flash Prommer (Sales Pack)	10
Sales package code	10
ACF-8 Universal Power Supply	11
Product Code	11
RH-9 FLA-23 POS (Point Of Sale) Flash Loading Adapter	12
Product Code	12
FLC-2 DC Cable	13
Product Code	13
AXS-4 Service Cable	14
Product Code	14
XCS-1 Service Cable	15
Product Code	15
SW Security Device PKD-1	16
Product Code	16
FLS-4S POS (Point Of Sale) Flash Device (Sales Pack)	17
Product Code	17
PCS-1 Power Cable	18
Product Code	18
DAU-9S MBUS Cable	19
Product Code	19
SCB-3 DC Cable	20
Product Code	20
XCS-4 Modular Cable	21
Product Code	21
Printer Cable	22
Product Code	22

Page No

List of Figures

	Page No
Fig 1 View of JBV-1.....	4
Fig 2 View of JBV-1 and MJF-16 together	5
Fig 3 View of JBV-1, MJF-16 and the transceiver RH-9	5
Fig 4 View of MJS-37	6
Fig 5 View of MJS-67	7
Fig 6 View of GAC-4	8
Fig 7 View of FPS-8	9
Fig 8 View of FPS-8C	10
Fig 9 View of ACF-8	11
Fig 10 View of FLA-23	12
Fig 11 View of FLC-2	13
Fig 12 View of AXS-4	14
Fig 13 View of XCS-1	15
Fig 14 View of SW Security Device	16
Fig 15 View of FLS-4S	17
Fig 16 View of PCS-1	18
Fig 17 View of DAU-9S	19
Fig 18 View of SCB-3	20
Fig 19 View of XCS-4	21
Fig 20 View of Printer Cable	22

JBV-1 Docking Station and MJF-16 Adapter

The JBV-1 Docking Station has been designed for calibration and software update use. The MJF-16 Docking Station Adapter makes signal connections to the phone. JBV-1 and MJF-16 are used as one unit.

JBV-1 main electric functions are:

- adjustable VBATT calibration voltage, current measurement limit voltage "VCHAR", current measurement calibration current "ICHAR"
- adjustable ADC calibration voltage via BTEMP and BSI signal
- BTEMP and BSI calibration resistor
- signals from FBUS to the phone via parallel jig
- control via FBUS or USB
- Flash OK/FAIL indication (only to be used with FPS-8C)

In the calibration mode, the JBV-1 is powered by an external power supply 11-16V DC. During flashing, power for the phone can be taken from the FPS-8 or from an external power supply 11-16V DC.

The MJF-16's main electric functions are:

- phone recognizing from BTEMP
- filters of FBUS signals

Product Code

JBV-1 Docking Station:	0770298
MJF-16 Docking Station Adapter	0775300
GAC-4 Adapter	0770448

Figure 1: View of JBV-1

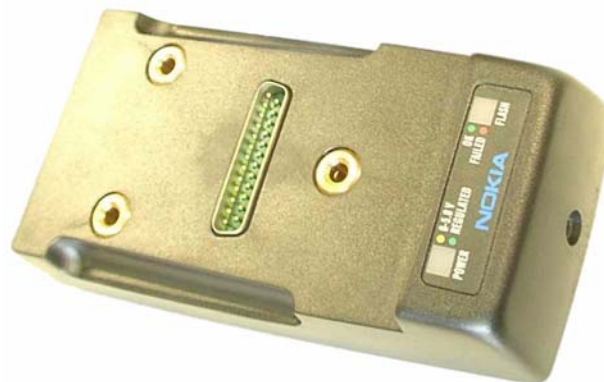


Figure 2: View of JBV-1 and MJF-16 together



Figure 3: View of JBV-1, MJF-16 and the transceiver RH-9



MJS-37 Module Jig

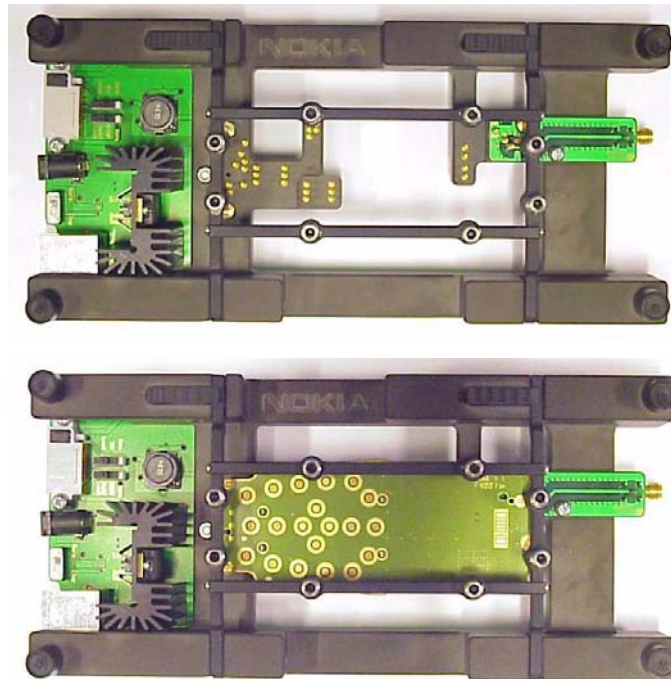
The MJS-37 Module Jig is used for testing of UI/system/RF-module*.

Product Code

MJS-37 Module Jig:

0770282

Figure 4: View of MJS-37



Note: The nominal supply voltage for MJS-37 is 8-12V_{DC}. If the input-voltage exceeds 12V_{DC}, the MJS-37 jig may be damaged.

By default the MJS-37 supplies the phone with 4.1V_{DC}. If other output voltages are needed (e.g. test or if FPS-8 is used as the power supply), it is possible to modify MJS-37 to support this by removing R110 and mount S104. See the MJS-37 schematic for more information.

MJS-67 Soldering Jig

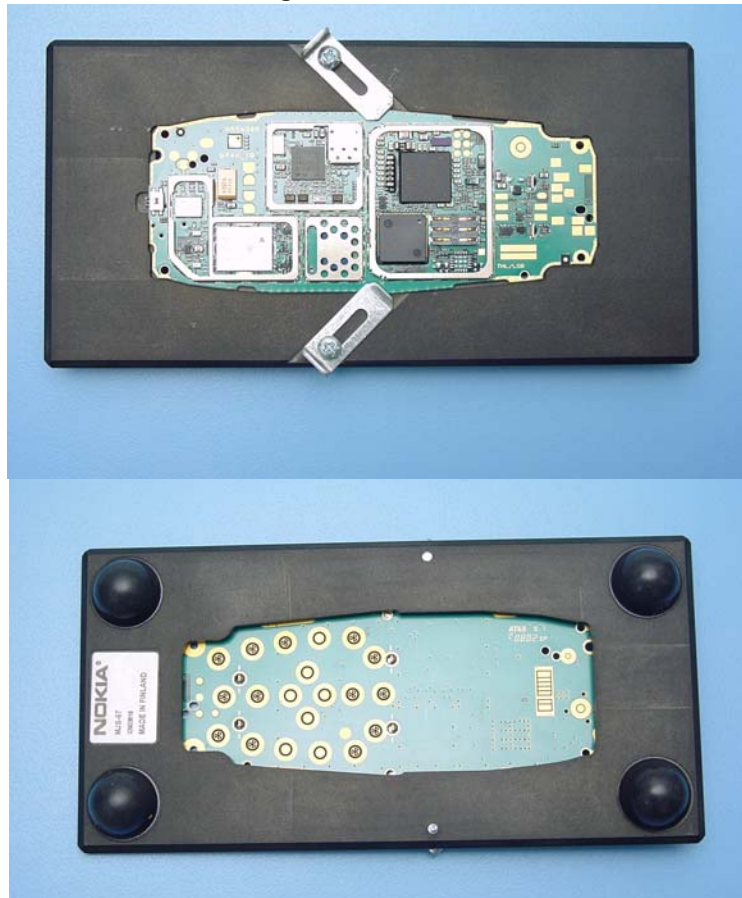
The Soldering Jig MJS-67 is used for soldering and as a rework jig for system module.

Product Code

MJS-67 Module Jig:

0770388

Figure 5: View of MJS-67



GAC-4 RF Adapter

The RF adapter GAC-4 is used for enabling RF connection. To be attached after A-cover is removed.

Product Code

GAC-4 RF Adapter:

0770448

Figure 6: View of GAC-4



FPS-8 Flash Prommer (Sales Pack)

The Flash Prommer FPS-8 is used with e.g. FLA-23, JBV-1 and MJS-37. Power is supplied to FPS-8 from the Universal Power Supply.

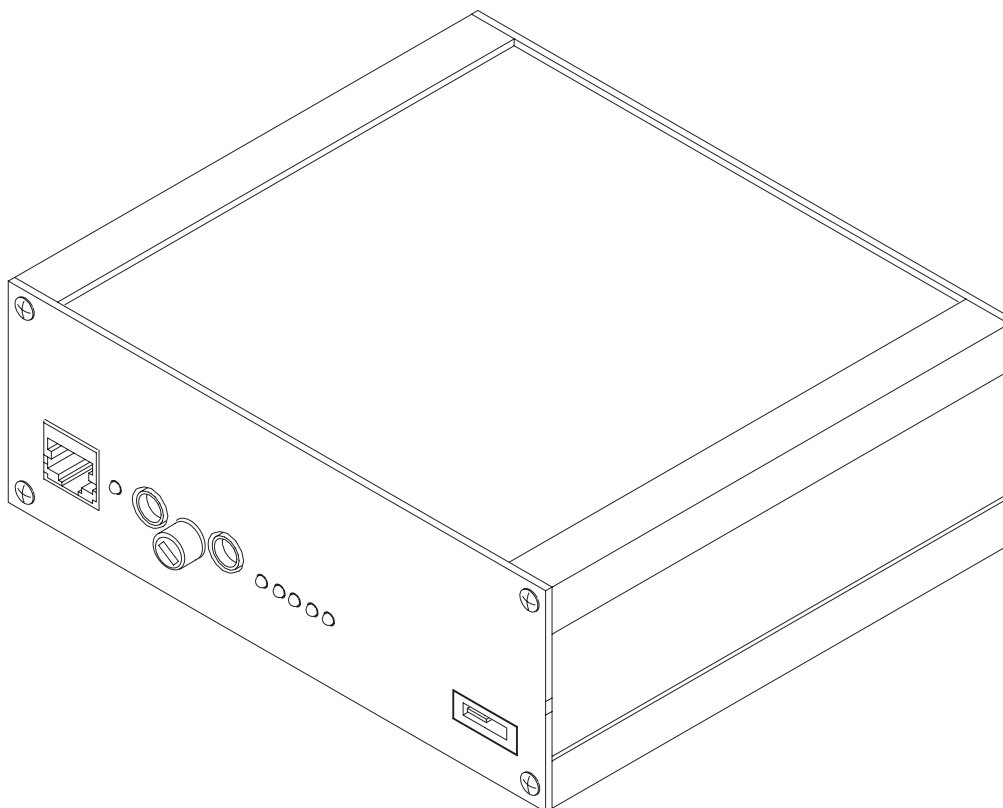
The sales pack includes:

- FPS-8 Flash Prommer 0750123
- FPS-8 Activation Sheet 9359289
- Universal Power Supply 0680032
- AXS-4 Service Cable (D9-D9) 0730090
- Printer cable 073F000

Sales Package Code

FPS-8 Flash Prommer: 0080321

Figure 7: View of FPS-8



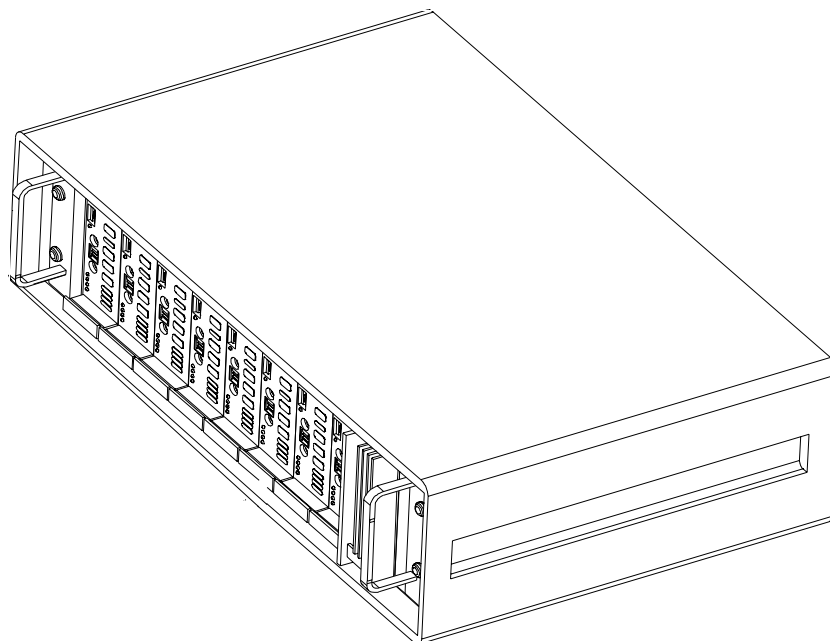
FPS-8C Parallel Flash Prommer (Sales Pack)

The Parallel Flash Prommer FPS-8C is used with MJF-16 and JBV-1. Flash programming can be done to maximum of 8 phones parallel. FPS-8C consists of eight SF11C programming cards. SF11C card is functionally identical to FPS-8.

Sales package code

FPS-8C Parallel Flash Prommer: 0080396

Figure 8: View of FPS-8C



ACF-8 Universal Power Supply

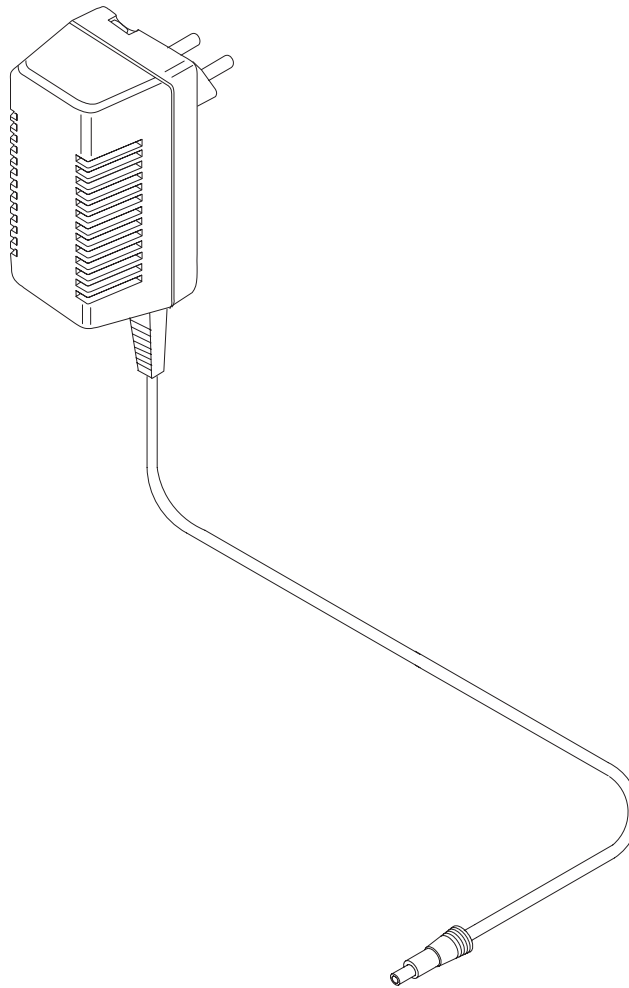
ACF-8 Universal Power Supply is used to power FPS-8. ACF-8 has 6 V DC and 2.1 A output.

Product Code

ACF-8 Universal Power Supply:

0680032

Figure 9: View of ACF-8



RH-9 FLA-23 POS (Point Of Sale) Flash Loading Adapter

The POS Flash Loading Adapter FLA-23 is used in place of the phone's normal battery during service, to supply a controlled operating voltage, and is also used for flashing.

Product Code

FLA-23 POS Flash Loading Adapter: 0775304

Figure 10: View of FLA-23



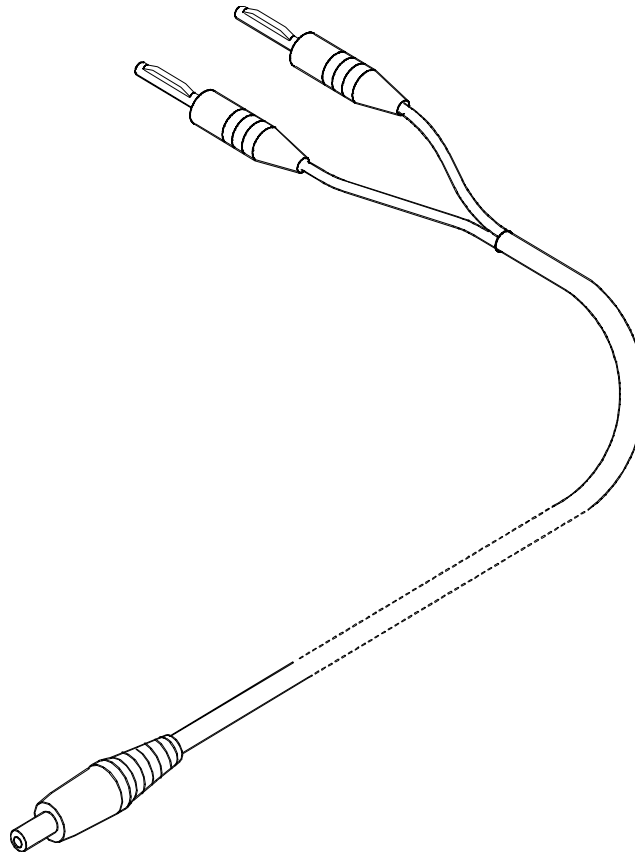
FLC-2 DC Cable

The FLC-2 is used to supply a controlled operating voltage.

Product Code

FLC-2 DC Cable:

0730185

Figure 11: View of FLC-2

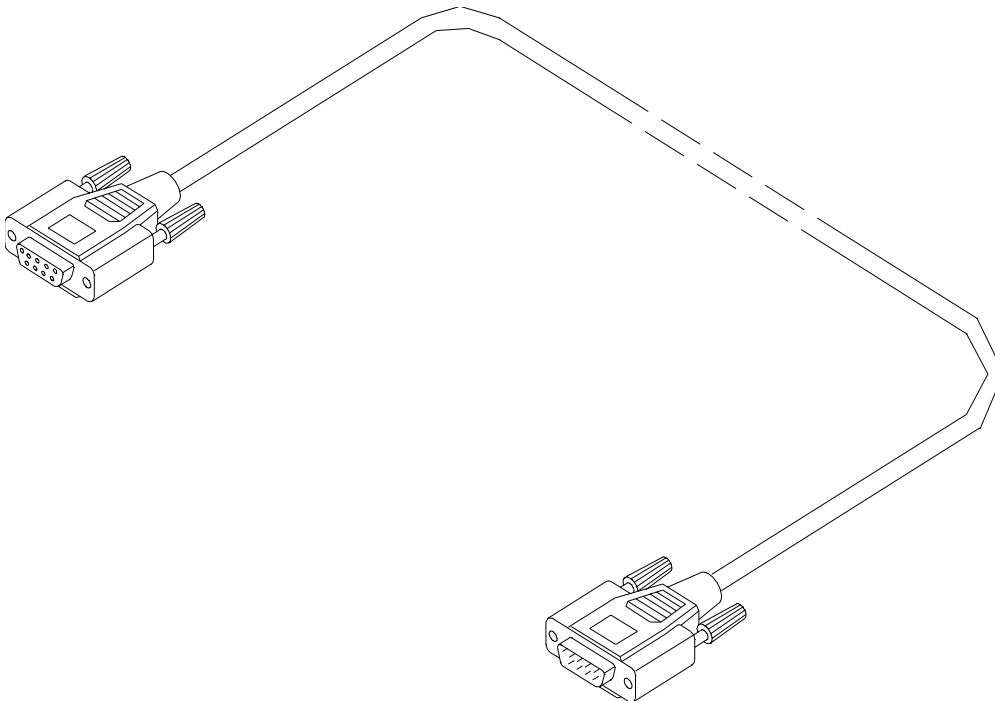
AXS-4 Service Cable

The AXS-4 D9-D9 Service Cable is used to connect two 9 pin D connectors e.g. between PC and FPS-8. Cable length is 2 meters.

Product Code

AXS-4 D9-D9 Service Cable: 0730090

Figure 12: View of AXS-4



XCS-1 Service Cable

The XCS-1 Service Cable is used to connect FLS-4S to FLA-23.

Product Code

XCS-1 Service Cable:

0730218

Figure 13: View of XCS-1



SW Security Device PKD-1

SW security device is a piece of hardware enabling the use of the service software when connected to the parallel (LPT) port of the PC. Without the dongle present it is not possible to use the service software. Printer or any such device can be connected to the PC through the dongle if needed.

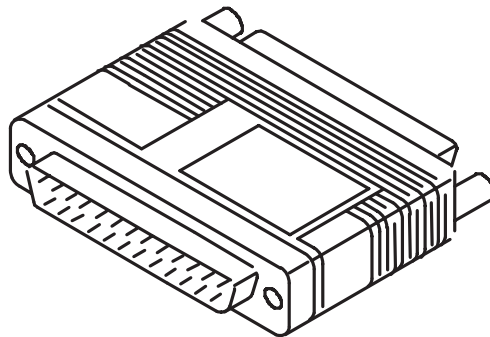
Caution: Make sure that you have switched off the PC and the printer before making connections!

Caution: Do not connect the PKD-1 to the serial port. You may damage your PKD-1.

Product Code

SW Security Device PKD-1: 0750018

Figure 14: View of SW Security Device



FLS-4S POS (Point Of Sale) Flash Device (Sales Pack)

FLS-4S is a dongle and flash device incorporated into one package, developed specifically for POS use.

Product Code

Sales Pack - Europe/Africa	0081483
Sales Pack -APAC	0081481
Sales Pack -Americas	0081482
POS Flash device for E&A (FLS-4S)	0080541

Figure 15: View of FLS-4S



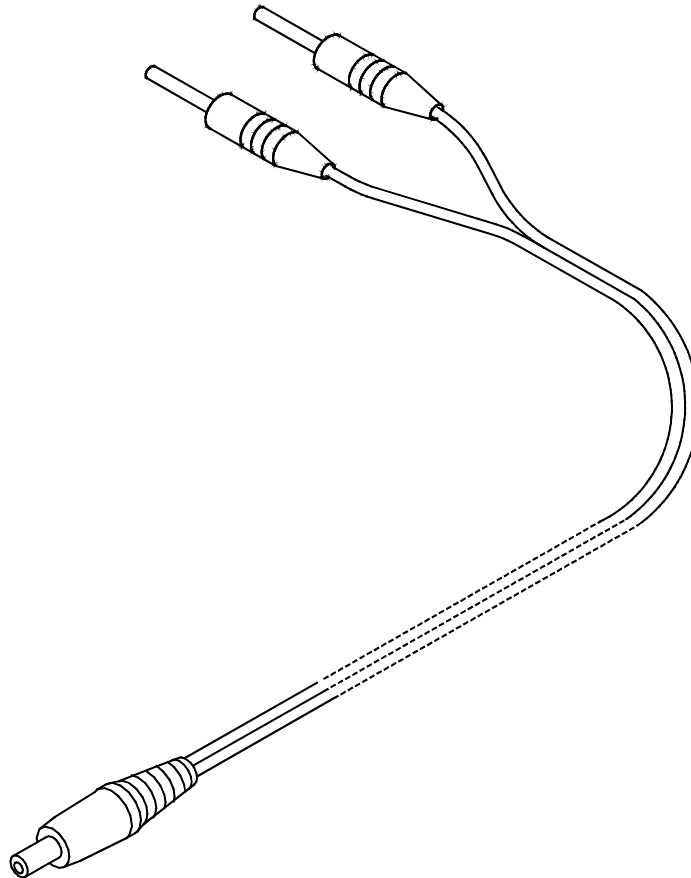
PCS-1 Power Cable

The PCS-1 Power Cable (DC) is used to connect, for example, JBV-1 to FPS-8.

Product Code

PCS-1 Power Cable: *0730012*

Figure 16: View of PCS-1



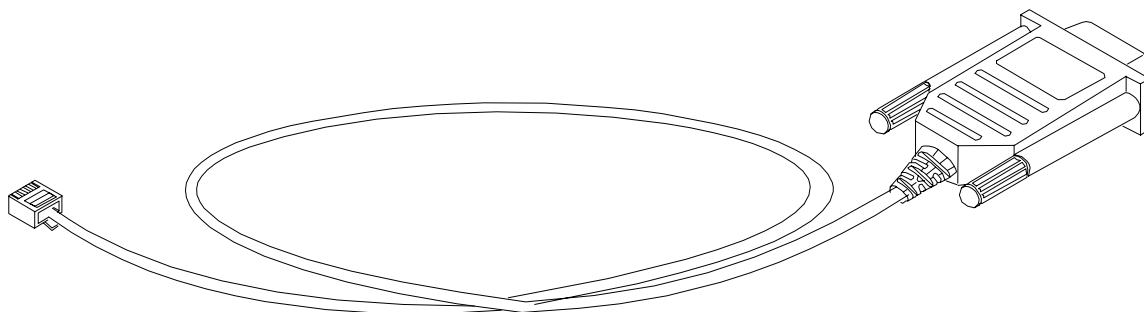
DAU-9S MBUS Cable

The MBUS Cable DAU-9S has a modular connector, and is used with between PC's serial port and, for example, the Module Jig MJS-37.

Product Code

DAU-9S MBUS Cable:

0730108

Figure 17: View of DAU-9S

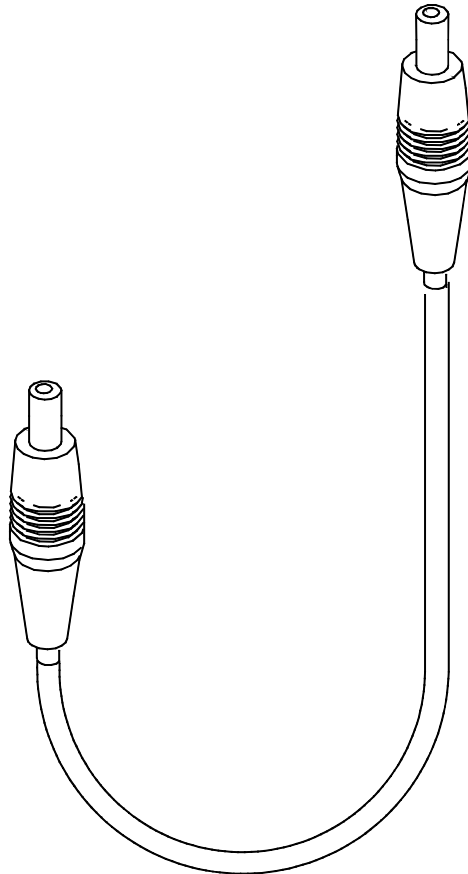
SCB-3 DC Cable

The DC Cable SCB-3 is used to connect, for example, the JBV-1 to the phone.

Product Code

SCB-3 DC Cable: *0730114*

Figure 18: View of SCB-3



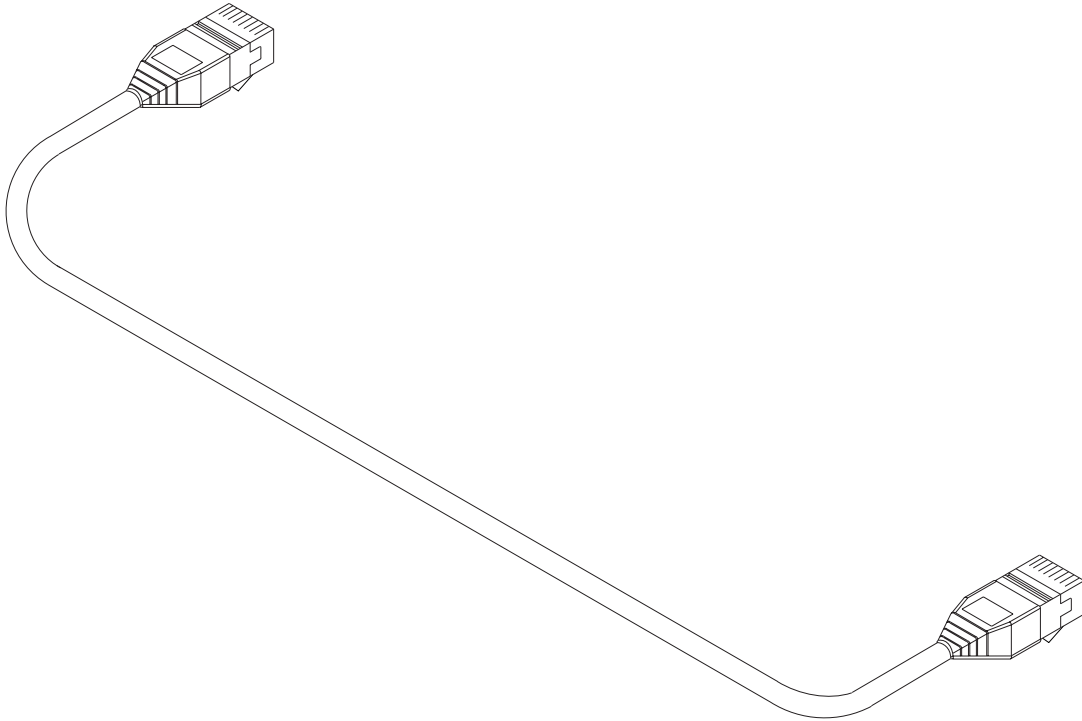
XCS-4 Modular Cable

XCS-4 is a shielded cable (one specially shielded conductor) modular cable for flashing and service purposes.

Product Code

XCS-4 Modular Cable:

0730178

Figure 19: View of XCS-4

Printer Cable

This cable is used to connect the PC to FPS-8.

Product Code

Printer Cable: *073F000*

Figure 20: View of Printer Cable

